

INDUSTRIAL DIESEL ENGINE

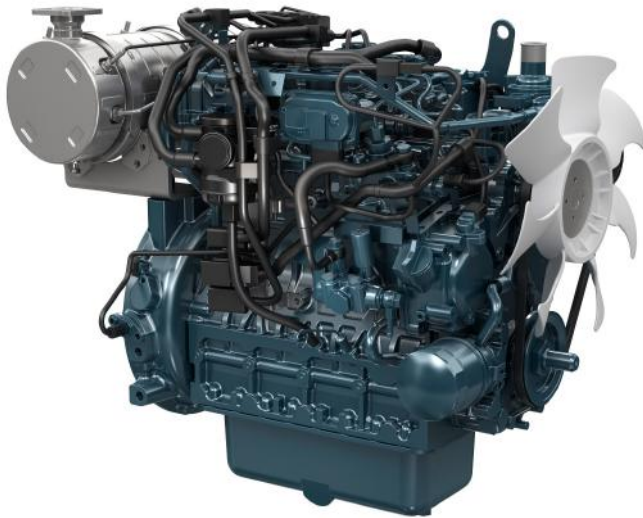
Kubota 03 Series (4-Cylinder)

V2403-CR-E4B



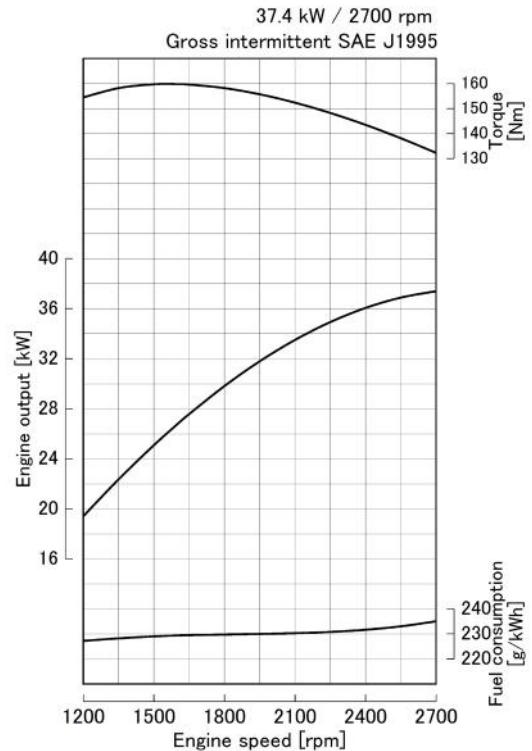
Rated Power

37.4 kW @ 2700 rpm



Photograph may show non-standard equipment.

Performance Curves



Features and Benefits

Proven Reliability and Technology

The latest technology and strong performance—two things customers expect from Kubota engines. We continue to provide both of these through the pursuit of excellence in three key areas: emissions compliance, progress towards fully electronic-controlled engines, and flexibility in the products and services we provide to customers worldwide.

Clean and Quiet Power

A common rail system has made it possible to optimize combustion and create a more durable and quieter engine with higher fuel efficiency. By meticulously screening and controlling the exhaust gas aftertreatment components (Diesel Oxidation Catalyst [DOC] and Diesel Particulate Filter [DPF]), we are able to offer a clean and high-performance engine.

Emissions Compliance

Meeting rigid emissions regulations can be a challenge for any company. Our Kubota 03 Series engines have been designed to comply with stringent regulations: EPA / CARB Tier 4 + EU Stage IIIB. In addition, innovative emissions solutions, such as the use of aftertreatment units, have also been integrated into the 03 Series engines.

Flexibility

Flexibility is a must when working with customers in different countries who have different engine needs. Since Kubota 03 Series engines have evolved along every step in meeting the requirements of each EPA Tier, we are able to provide our customers worldwide with engines certified for the appropriate emissions regulations. In addition, we have designed aftertreatment units with minimum impact for easy installation.

Trust

The Kubota 03 Series is the ideal solution for your company's global marketing strategy. We continuously strive to meet your needs with the experience and expertise that is your due.

For Earth, For Life
Kubota

V2403-CR-E4B

Engine Specifications

Engine model		V2403-CR-E4B
Emission regulation		EPA/CARB Tier 4 + EU Stage IIIB
Type		Vertical, water cooled 4-cycle diesel engine
Cylinders		4
Bore and stroke	mm (in)	87.0 x 102.4 (3.43 x 4.031)
Displacement	L (cu.in)	2.434 (148.5)
Aspiration		Naturally aspirated
Aftertreatment		DOC + DPF
Rated output / speed *1	kW (HP) / rpm	37.4 (50.2) / 2700
Maximum torque / speed *1	Nm (lb-ft) / rpm	159.8 (117.9) / 1600
Combustion system		Direct injection
Fuel system		Common rail system
Length x Width x Height *2 (without aftertreatment unit)	mm (in)	646 x 540 x 711 (25.4 x 21.3 x 28.0)
Length x Width x Height *3 (with aftertreatment unit)	mm (in)	842 x 540 x 727 (33.1 x 21.3 x 28.6)
Dry weight *3	kg (lbs)	221 (487)

Specifications are subject to change without notice.

DOC: Diesel Oxidation Catalyst

DPF: Diesel Particulate Filter

Dimensions and dry weight are according to Kubota's standard specification.

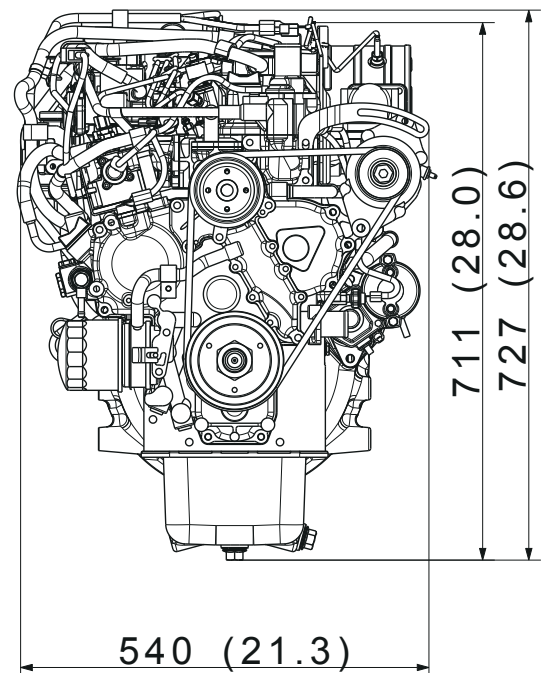
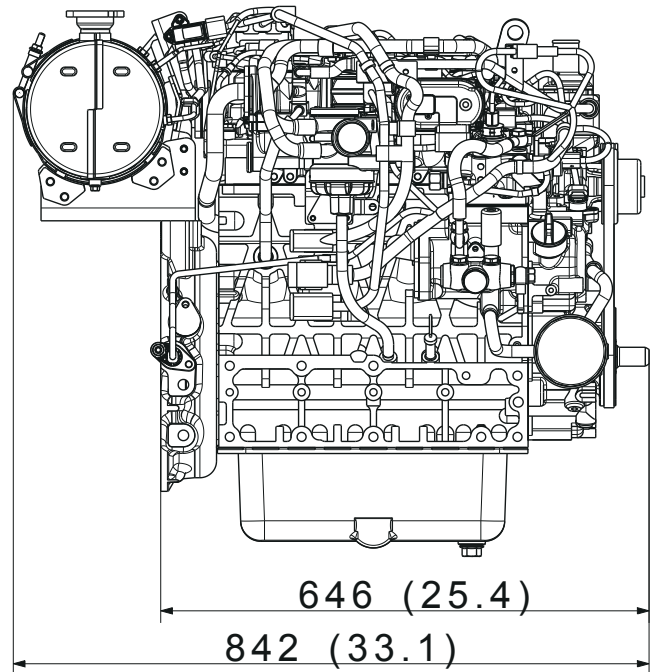
Dimensions and weight depend on completed specifications.

*1: SAE J1995 gross intermittent

*2: Exclude cooling fan and exclude aftertreatment unit

*3: Exclude cooling fan and include aftertreatment unit on engine

Dimensions



Kubota Corporation

2-47, Shikitsuhigashi 1-chome Naniwa-ku, Osaka, 556-8601 Japan

<https://global.engine.kubota.co.jp/en/>

ASP-V2403-CR-E4B1808-R1-I