

INDUSTRIAL LPG ENGINE

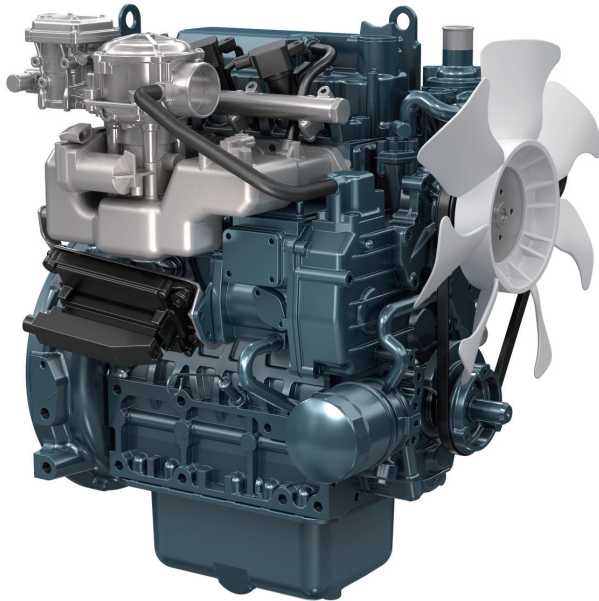
Kubota WG Series (3-Cylinder)

WG1903-L-LM



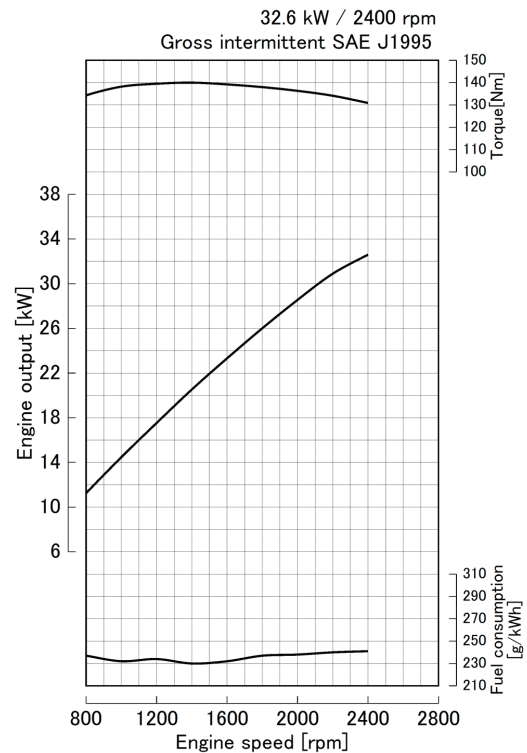
Rated Power

32.6 kW @ 2400 rpm



Photograph may show non-standard equipment.

Performance Curves



Features and Benefits

Emissions

Kubota's WG1903-L-LM engine has been designed to comply with EPA Tier 2 / CARB Tier 3 + EU Stage V.

Fuel Flexibility

The installation compatibility that exists between Spark-Ignition engines (SI) and Compression-Ignition engines (CI) is convenient for customers who need fuel flexibility for their products. The Kubota WG1903 includes gasoline, LPG, and natural gas versions, as well as dual fuel (gasoline and LPG) version.

Durability and Reliability

Kubota WG1903 SI engines are designed after Kubota O3 Series diesel (CI) engines. While keeping the same footprint as the D1803 diesel engines, they offer performance similar to that of our turbo diesel engines, which are known worldwide as reliable industrial engines.

The Kubota WG1903 engine offers very low vibration and extremely low noise as well.

Optimum Total Cost of Ownership

Total cost of ownership will be optimized with long maintenance interval enabled with Hydraulic Lash Adjuster (HLA) and auto-belt tensioners.

WG1903-L-LM

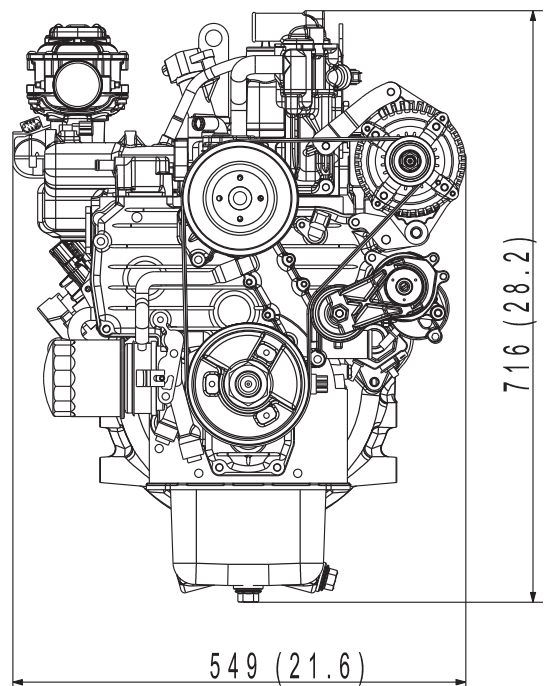
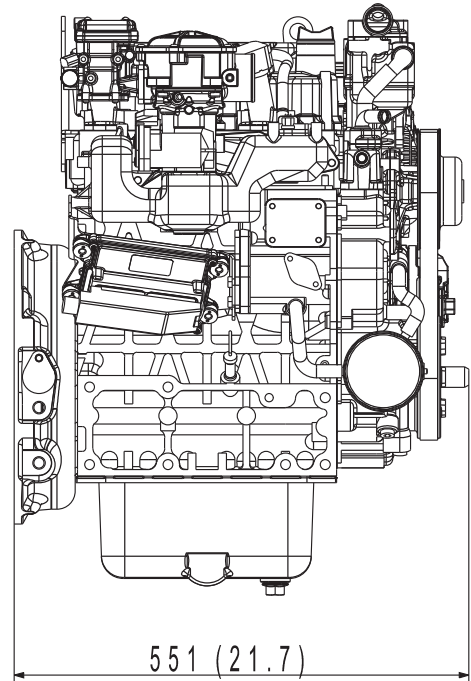
Engine Specifications

Engine model		WG1903-L-LM
Emission regulation		EPA Tier 2 / CARB Tier 3 / EU Stage V
Type		Vertical, water cooled 4-cycle spark ignited engine
Fuel type		LPG
Cylinders		3
Bore and stroke	mm (in)	88.0×102.4 (3.465×4.031)
Displacement	L (cu.in)	1.868 (114.0)
Aspiration		Naturally Aspirated
Aftertreatment		Three way catalyst
Rated output / speed *1	kW (HP) / rpm	32.6 (43.7) / 2400
Maximum torque / speed *1	Nm (lb-ft) / rpm	140 (103) / 1400
Length x Width x Height *2	mm (in)	551 × 549 × 716 (21.7 × 21.6 × 28.2)
Dry weight *2	kg (lbs)	172 (380)

Specifications are subject to change without prior notice.
 Dimensions and dry weight are according to Kubota's standard specification.
 Dimensions and weight depend on completed specifications.
 LPG: Commercial liquid propane gas only. Equivalent to propane HD-5 of GPA standard.
 Natural gas: The performance shown is with Japanese standard natural gas.
 The lower heating value: 9699 kcal/m³ (1090 BTU / ft³)

*1: Gross intermittent SAE J1995
 *2: Exclude cooling fan, aftertreatment unit

Dimensions



Kubota Corporation

2-47, Shikitsuhigashi 1-chome Naniwa-ku, Osaka, 556-8601 Japan
<https://global.engine.kubota.co.jp/en/>

ASPWG1903-L-LM1903-N0-I-178040