

## INDUSTRIAL DIESEL ENGINE

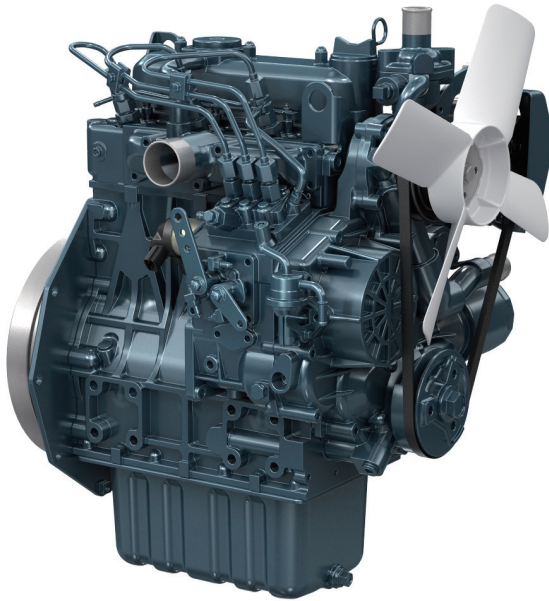
Kubota 05 Series (3-Cylinder)

# D1005-E4B (3000 rpm)



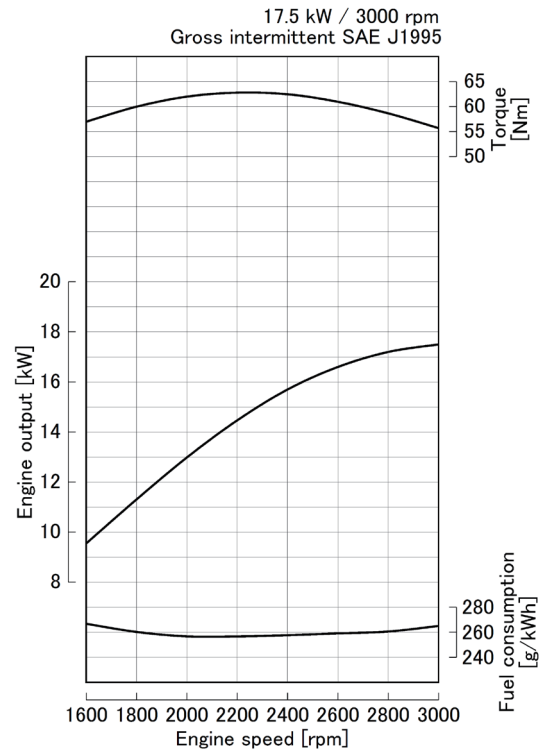
### Rated Power

**17.5 kW @ 3000 rpm**



Photograph may show non-standard equipment.

### Performance Curves



## Features and Benefits

### Emissions

The D1005 engine complies with EPA / CARB Tier 4 emissions regulations.

### Durable Power

The Kubota 05 Series is an established leader in its horsepower range, selected as the power source of choice by various industrial equipment manufacturers. The D1005 offers a seamless transition from E3 to E4 by maintaining the same footprint and hardware mounting points.

### Clean and Quiet Power

Kubota's original E-TVCS (Three Vortex Combustion System) has been improved. The airflow, combustion chamber, and piston recess have been optimized to provide low particulate matter (PM) levels, matching the stringent level of emission regulation.

### Options

A variety of engine accessory options are also available.

For Earth, For Life  
**Kubota**

# D1005-E4B (3000 rpm)

## Engine Specifications

<b>Engine model</b>		D1005-E4B (3000 rpm)
<b>Emission regulation</b>		EPA/CARB Tier 4 (NRTC/NTE test mode) + EU Stage V
<b>Type</b>		Vertical, water cooled 4-cycle diesel engine
<b>Cylinders</b>		3
<b>Bore and stroke</b>	mm (in)	76.0 x 73.6 (2.99 x 2.90)
<b>Displacement</b>	L (cu.in)	1.001 (61.08)
<b>Aspiration</b>		Naturally aspirated
<b>Aftertreatment</b>		-
<b>Rated output / speed</b> *1	kW (HP) / rpm	17.5 (23.5) / 3000
<b>Maximum torque / speed</b> *1	Nm (lb-ft) / rpm	62.8 (46.3) / 2200
<b>Combustion system</b>		Indirect injection
<b>Fuel system</b>		In-line pump
<b>Length x Width x Height</b> *2 (without aftertreatment unit)	mm (in)	480 x 396 x 605 (18.9 x 15.6 x 23.8)
<b>Length x Width x Height</b> *3 (with aftertreatment unit)	mm (in)	-
<b>Dry weight</b> *3	kg (lbs)	93 (205)

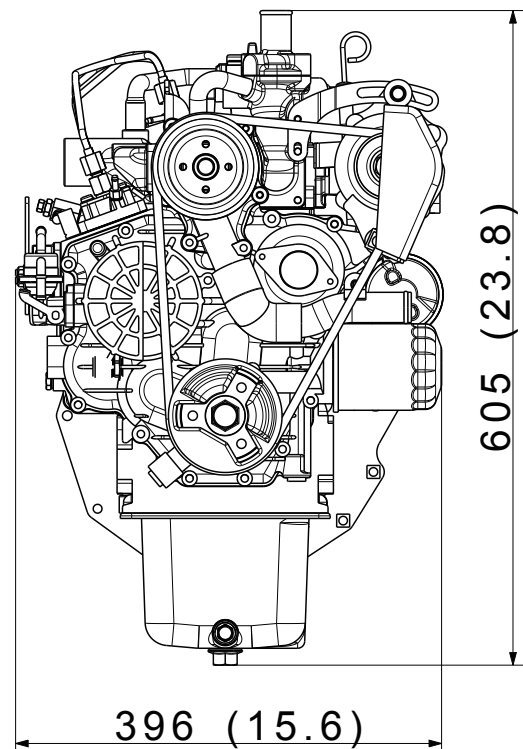
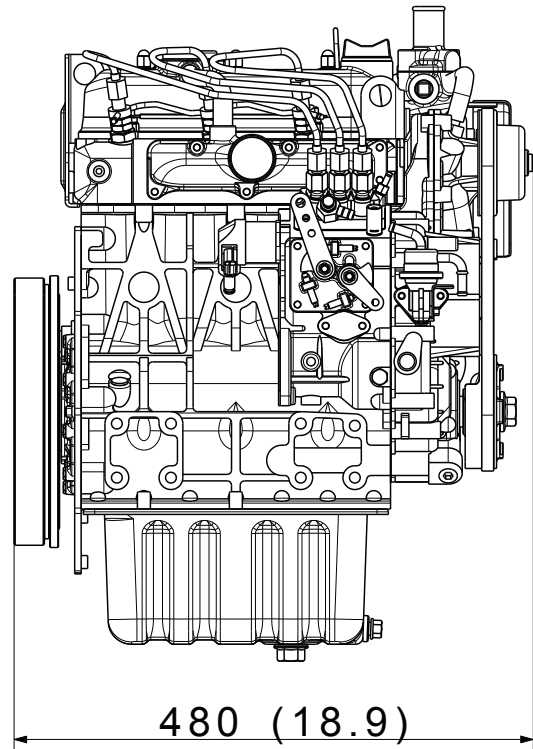
Specifications are subject to change without notice.  
Dimensions and dry weight are according to Kubota's standard specification.  
Dimensions and weight depend on completed specifications.

\*1: SAE J1995 gross intermittent

\*2: Exclude cooling fan and exclude aftertreatment unit

\*3: Exclude cooling fan and include aftertreatment unit on engine

## Dimensions



## Kubota Corporation

2-47, Shikitsu Higashi 1-chome Naniwa-ku, Osaka, 556-8601 Japan

<https://global.engine.kubota.co.jp/en/>

ASPD1005-E4B301902-R1-I-178040